

**TCM**

*Innovative Machine*  
**INOMA**



**Engine-Powered Forklift Trucks**  
**1.5-3.5 ton**  
(Counter-Balanced Type)

Innovative Machine

# ***iNOMA***



[1.5 ton]

- FG15C13 FD15C13 FHD15C3Z
- FG15T13 FD15T13 FHD15T3Z
- FHG15C3
- FHG15T3

[1.8 ton]

- FG18C13 FD18C13 FHD18C3Z
- FG18T13 FD18T13 FHD18T3Z
- FHG18C3
- FHG18T3



[2.0 ton]

- FG20C3 FD20T4 FHD20C3A
- FG20T3 FD20C3Z FHD20T3A
- FHG20C3 FD20T3Z
- FHG20T3

[2.5 ton]

- FG25C3 FD25T4 FHD25C3A
- FG25T3 FD25C3Z FHD25T3A
- FHG25C3 FD25T3Z
- FHG25T3

## Second to None, Revolutionary Forklift Trucks—Freshly Debuted

Succeeding TCM traditional product concepts of superb performance and quality, we hereby announce a new type of forklift truck, offering incomparable ruggedness and operator-friendly features. It's the newly debuted *iNOMA*.

We have fully upgraded and redesigned *iNOMA* for easier access, greater comfort, improved maneuverability, assured safety, and longer durability. Thanks to TCM outstanding technological expertise and strengths, the *iNOMA* forklift truck achieves optimum performance for its class while providing outstanding comfort and safety.



[3.0 ton]

- FG30C3 FD30T4 FHD30C3A
- FG30T3 FD30C3Z FHD30T3A
- FHG30C3 FD30T3Z
- FHG30T3

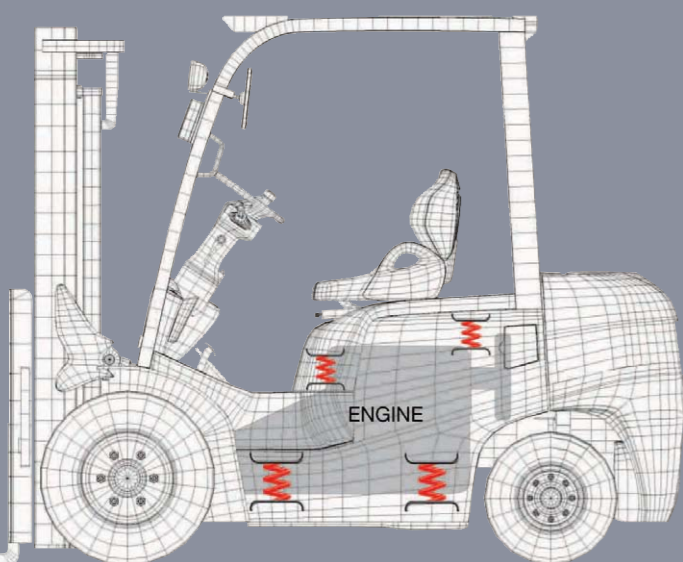


[3.5 ton]

- FG35T3S FD35T3S

# ENHANCED COMFORT

## OPERATOR



**Substantially reduced vibration by adopting dual-floating systems for both the engine and hood**  
 Minimizes the transfer of vibration to the operator, with four-point rubber cushion absorbers between the seat and engine and its transmission. Moreover, use of the same four-point suspension adopted in the hood, realizing a dual effect in reducing vehicle vibrations.



**More convenient parking lever**  
 The lever is positioned to the right of the steering wheel for easier entry and exit. A double-action brake release on the lever further improves safety.



**Expansive floor space for easier foot maneuvering**  
 An amazing 45% increase in floor space by placing tilt cylinders under the floor. This gives a smooth footwell in addition to easy entry and exit.



**Easier entry and exit from an extra-wide step— 55% wider**  
 The secure step with enlarged foot space enables greater comfort and less fatigue while entering and exiting the vehicle.

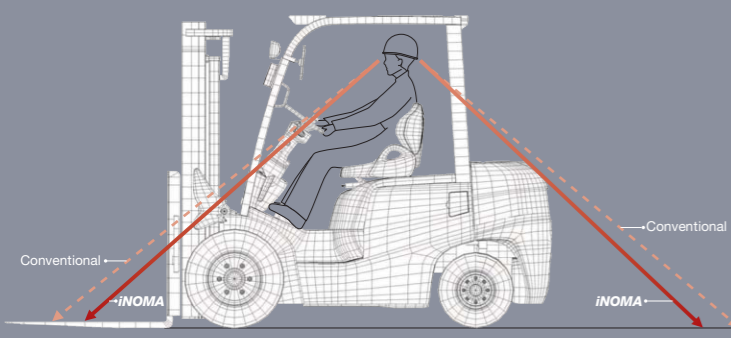


**Multifunctional suspension seat**  
 (available for 1.5/1.8ton high power & 2-3.5ton models)  
 Features include reinforced driver support, reduced vibration, operator weight balance adjusting, forward and backward reclining, a rear utility pocket, and seat belt.



**Resin screen**  
 The resin screen on the overhead guard enables comfortable outdoor operation in wet weather.

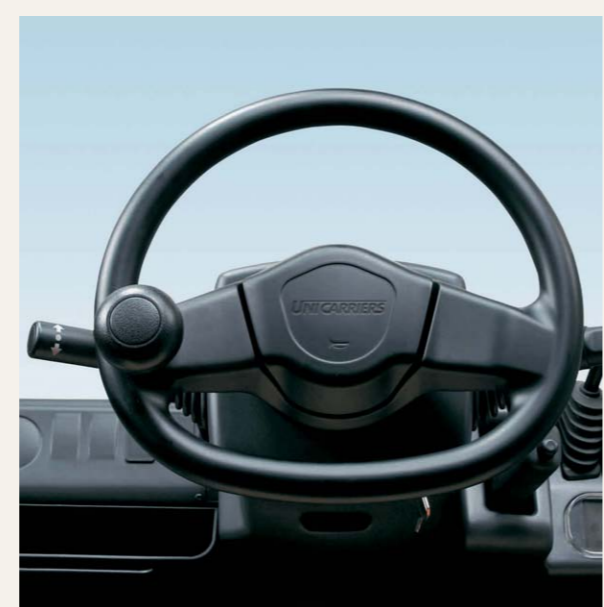
# SUPERIOR MANEUVERABILITY AND ASSURED SAFETY



**EXCELLENT OPERATOR VISIBILITY**

**Wider forward visibility**  
Clearer visibility of the fork tips—50% improvement over other current models. This achievement was made possible by lowering the dashboard by **70mm** and the tie bar by **190mm**. A remarkable improvement of the forward view along with quicker recognition of the fork position. An operator-friendly design with assured safety, high efficiency, and relaxing feel.

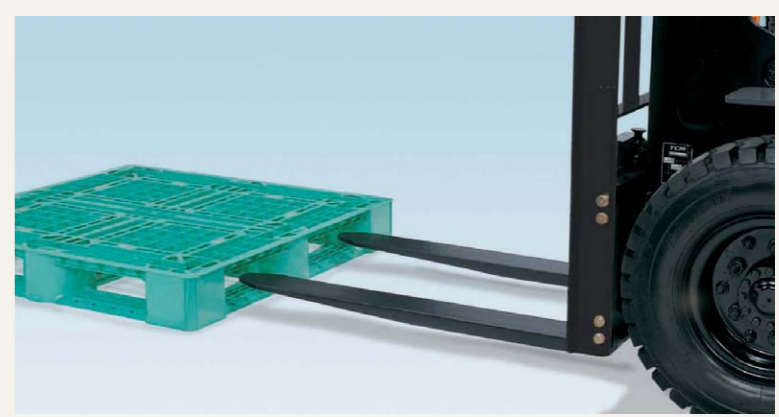
**Amazing backward visibility**  
Reshaped counter weight for better rearview sight. The round shape of the rear top end of the counterweight substantially improves visibility for increased safety during backward movement.



**Reduced fatigue due to a semi-circular steering wheel**  
A smaller diameter (300mm outer diameter) steering wheel gives improved vehicle maneuverability. In addition, this compact steering wheel makes it much easier to get on and off the truck.



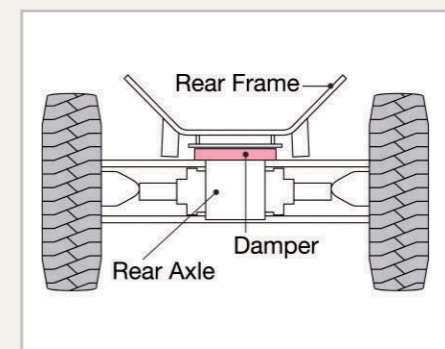
**Meter panel optimally located to the right of the driver's seat**  
The meter panel is located on the top right side of the dashboard for easier readability by the operator.



**Innovative fork-landing mechanism**  
(available for wide view two-stage mast)  
The fork-lowering speed decelerates at a height of approximately 150mm above the ground enabling accurate placement of the forks into the load fork pockets or pallet.



**Multi-cone synchronizer shift levers**  
The newly adopted levers enable smooth shifting from both forward and reverse (available for manual transmission models).



**Anti-roll mechanism for assured safety during turning**  
(available for 2-3.5ton models)  
Warning: This system does not guarantee accident avoidance or prevention of vehicle overturning.



**Neutral safety mechanism**  
This feature enhances safety of operation. The engine cannot be started unless the change lever is in the neutral position.



**High-mounted rear combination lights**  
The brake lights are easily visible at the top of the overhead guard. Recessed for protection, they are vibration resistant for long bulb life.

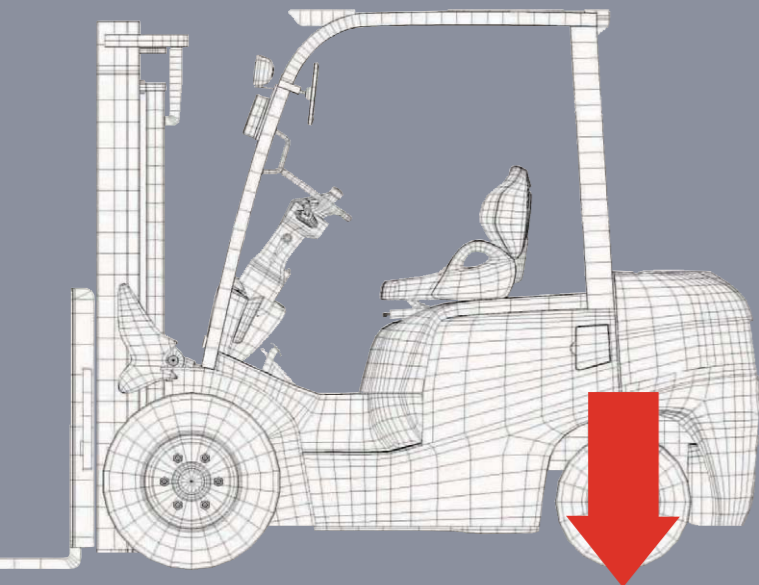


**Anti-slip mat on the hood**  
A rubber strip is attached to the hood to prevent slippage while stepping on and off.



**Meter panel with LED indicators**  
The LED has a longer life and is easy to read even during daylight shift operation.

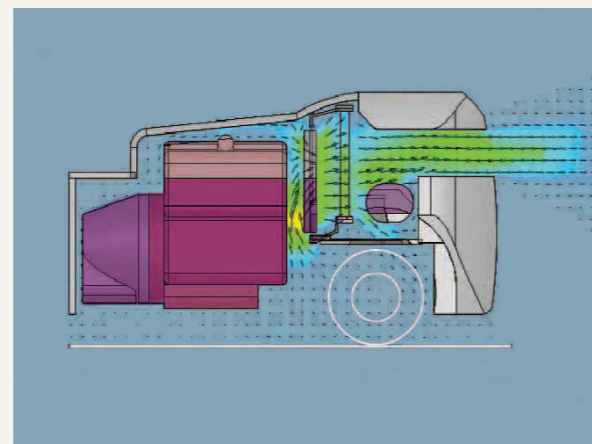
# RUGGEDNESS AND INCREASED DURABILITY



## 5% improved front and rear stability ratio

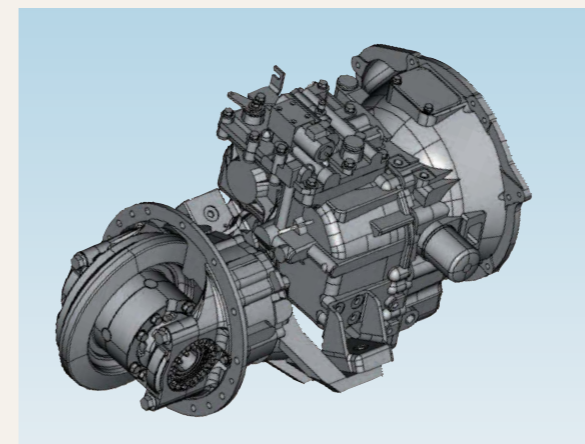
(available for 2-3.5ton models)

Stable and more consistent cargo handling as well as travel due to an improved stability ratio.



## Cooler running through improved airflow

Optimal positioning of the fan, radiator and muffler has reduced the operating coolant temperature. (gasoline models) The operating temperature of the hydraulic oil has been reduced, also by 10°C by upgrading the mechanical components and circuitry.



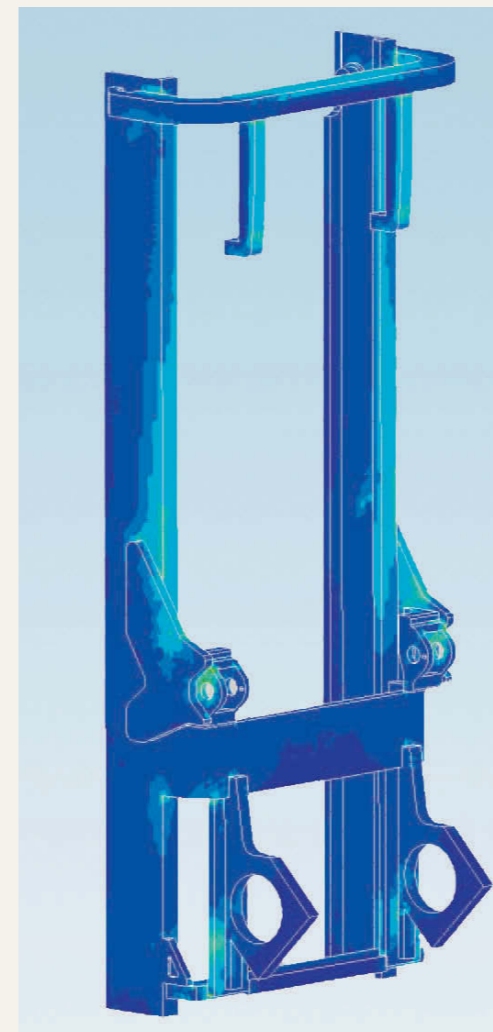
## TCM transmissions

The transmissions for quiet operation and maximum durability, insuring the highest quality.



## Single-piece headguard

The front and rear pillars as well as roof are all welded together in a single-piece construction to give additional strength to the entire structure.

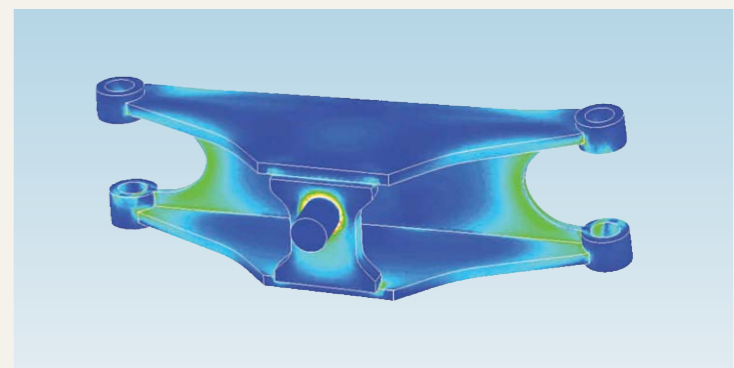


## Sturdier mast

Minimized distortion of the mast by redesigned positioning the mast supports and tilt cylinders. TCM traditional robust mast was further upgraded by adopting sturdier tie bars, while maintaining a wide range of viewing angles.

## Improved durability with lubricant filled lift cylinder

Oil filled lift cylinders give improved durability. (available for 2-3.5ton models)



## TCM steering axles

Also a new TCM design, the steer axle has been strengthened and improved for durability in demanding applications.

# EASY MAINTENANCE AND ENVIRONMENT FRIENDLINESS



## Detachable side covers for convenient inspection and simple maintenance

Inspection and maintenance can more easily be performed due to one-touch detachable side covers and a wide-opening hood.

## Integral layout of electrical parts and other system devices

Maintenance inspections can be performed more easily, as electrical parts such as the fuse box, relay, and battery are neatly integrated into a conveniently compact area.



## Clean engines clearing the level of emission regulations in the U.S., Europe and Japan

Emission control and engine management system deliver excellent power and reliability meeting the emission levels required in the U.S. EPA Tier 3, EU Stage III B and Japan Stage II regulations.



## One-piece floorboard

Gives more convenient inspection and easier maintenance, as the one-piece floorboard unit is easily detachable without using any tools.



## Portable glove box

Detachable and portable.



## Cup holder

Convenient for keeping cups, pens, and other small items.

## OPTIONAL EQUIPMENT



## Three-stage mast with four-cylinder mechanism

(available for 2-3ton models)  
The cylinders are symmetrically located to the left and right for improved forward visibility.



## Integral side shifter

The integral side shifter has been improved to deliver maximum load capacity, maximum fork visibility, and smooth, dependable operation.



## Interlock system

This system performs only when the operator is seated at proper seat position.

## Lift lock

When the engine is off, the forks cannot be lowered, even when the operator is in the seat.



## Rotating warning light



## Rear working light



## Overhead exhaust system



## Windshield wiper



## Cabin-panel type

(available for 2-3.5ton models)



## Heater



## LPG exclusive/Dual fuel

(LPG/gasoline) package



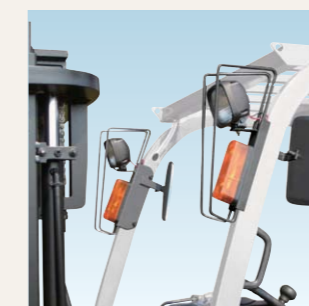
## Pre-cleaner engine air intake

(gasoline)

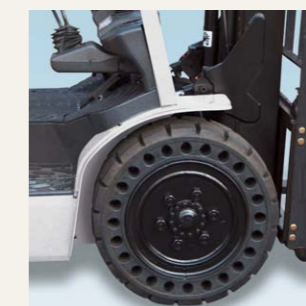


## Steel cabin-enclosed type with air-cooler

(available for 2-3.5ton models)



## Head light guard



## Air Boss tire

\*As far as the detailed optional information is concerned, please refer to the specification sheets. For various types of attachments, please also refer to the "attachment catalogue" which is separately prepared from this sales catalogue.



- UniCarriers Corporation retains the right to change these products and specifications without incurring any obligation relating to such changes.
- These products and specifications are subject to change without notice.
- Photos and illustrations may slightly differ from the actual trucks.
- Photos and illustrations may or may not include optional equipment and accessories.
- Features and specifications may vary depending on markets.
- Performance data and dimensions are nominal and subject to tolerances.
- Produced in ISO certified factory.

**TCM**

*Innovative Machine*  
**INOMA**



**Engine-Powered Forklift Trucks**

**2.0-3.5 ton**

(Counter-Balanced Type)

**SPECIFICATIONS**



**STANDARD SPECIFICATIONS**

1	Manufacturer	UNICARRIERS					
		FG20C3	FG20T3	FG25C3	FG25T3		
2	Model						
3	Load Capacity	kg	2000	2500			
4	Load Center	mm	500	500			
5	Power Type		Gasoline	Gasoline			
6	Operator Position		Seated	Seated			
7	Tire Type	Front / Rear	Pneumatic	Pneumatic			
8	Wheels (x = driven)	Front / Rear	2X / 2	2X / 2			
9	Maximum Fork Height	mm	3000	3000			
10	Free Lift	mm	110	110			
13	Fork Size	L × W × T	1070 × 122 × 40	1070 × 122 × 40			
	Fork Spread (Outside)	Max. / Min.	1020 / 244	1020 / 244			
14	Tilt Angle	Fwd. / Bwd.	6 / 12	6 / 12			
15	Length to Fork Face	mm	2485	2555			
16	Overall Width	mm	1150	1150			
17	Mast Height Fork Lowered	mm	2030	2030			
18	Mast Height Fork Raised	mm	4030	4030			
19	Overhead Guard Height(EXB,EXK)	mm	2070	2070			
	Overhead Guard Height(EXC,EXE,EXN)	mm	2130	2130			
20	Operator's Seat Height	mm	1045	1045			
21	Turning Radius (Outside)	mm	2170	2240			
22	Load Distance (Centerline of front axle to front face of forks)	mm	450	450			
	Rear Overhang	mm	435	505			
23	Basic Right Angle Stacking Aisle Width	mm	3890	3960			
24	Speeds	Travel, Max. (Fwd. / Rvs.)	Full Load	km/h	18.5	18.5	
			No Load	km/h	19	19	
		Lifting	Full Load	mm/sec	540	540	
			No Load	mm/sec	580	580	
		Lowering	Full Load	mm/sec	450	450	
			No Load	mm/sec	550	550	
28	Max. Drawbar Pull	Full Load	kN	12.3	16.7	12.3	16.7
		No Load	kN	8.3	8.3		
30	Max. Gradeability*	Full Load	%	20	28	19	24
		No Load	%	20	20		
32	Total Weight	kg	3210	3570			
33	Weight Distribution	Full Load	Front	kg	4610	5350	
			Rear	kg	600	720	
34		No Load	Front	kg	1430	1370	
			Rear	kg	1780	2200	
35		Number	Front / Rear		2 / 2	2 / 2	
36	Tires	Size	Front		7.00-12-12PR(I)	7.00-12-12PR(I)	
37			Rear		6.00-9-10PR(I)	6.00-9-10PR(I)	
38	Wheelbase	mm	1600	1600			
39	Tread	Front	mm	970	970		
		Rear	mm	970	970		
	Backrest Height	mm	1000	1000			
	Overhead Guard Clearance	mm	1005	1005			
	Counterweight Height	mm	1110	1110			
	Drawbar Pin Center Height	mm	530	530			
	Step Height / Floor Height	mm	435 / 650	435 / 650			
40	Underclearance	Min. with Load	mm	110	110		
41		Center of Wheelbase	mm	120	120		
42	Brake	Service (Foot)		Hydraulic-Foot pedal	Hydraulic-Foot pedal		
43		Parking		Mechanical-Hand lever	Mechanical-Hand lever		
45	Battery	Voltage / Capacity (5HR)	V/AH	12 / 30	12 / 30		
49	Internal Combustion Engine	Make / Model		GCT / K21	GCT / K21		
50		Rated Horsepower / r.p.m.	kW	34.6 / 2250	34.6 / 2250		
51		Rated Torque / r.p.m.	N-m	153.5 / 1600	153.5 / 1600		
		Number of Cylinder		4	4		
		Piston Displacement	cc	2065	2065		
52		Alternator output	kW/Amp	0.60 / 50	0.60 / 50		
	Fuel Tank Capacity Type	liter	70	70			
55	Transmission	Type		Manual	Power-shift	Manual	Power-shift
		Stage	Fwd.-Rvs.	2-2	1-1	2-2	1-1
57	Operating Pressure	For Attachments	MPa	17.7	17.7		

NOTE : \* Computed values.

UNICARRIERS								
FG30C3	FG30T3	FHG20C3	FHG20T3	FHG25C3	FHG25T3	FHG30C3	FHG30T3	FG35T3S
3000		2000		2500		3000		3500
500		500		500		500		500
Gasoline		Gasoline		Gasoline		Gasoline		Gasoline
Seated		Seated		Seated		Seated		Seated
pneumatic		pneumatic		pneumatic		pneumatic		Pneumatic
2X / 2		2X / 2		2X / 2		2X / 2		2X / 2
3000		3000		3000		3000		3000
165		110		110		165		170
1070 × 125 × 45		1070 × 122 × 40		1070 × 122 × 40		1070 × 125 × 45		1070 × 150 × 50
1090 / 250		1020 / 244		1020 / 244		1090 / 250		1090 / 300
6 / 12		6 / 12		6 / 12		6 / 12		6 / 12
2705		2485		2555		2705		2800
1225		1150		1150		1225		1290
2075		2030		2030		2075		2135
4260		4030		4030		4260		4255
2090		2070		2070		2090		2140
2150		2130		2130		2150		2200
1070		1045		1045		1070		1120
2400		2170		2240		2400		2470
480		450		450		480		495
525		435		505		525		605
4150		3890		3960		4150		4265
19		18.5		18.5		19		18.5
19.5		19		19		19.5		19
440		600		600		500		400
490		620		620		520		450
450		450		450		450		420
		550		550				450
10.8	14.2	14.2	22.1	14.2	22.1	12.7	19.6	17.0
9.8		8.3		8.3		9.8		9.8
14	18	24	36	21	33	18	24	17
20		20		18		20		16
4250		3230		3580		4260		4820
6350		4630		5350		6350		7235
900		600		730		910		1085
1620		1450		1370		1620		1685
2630		1780		2210		2640		3135
2 / 2		2 / 2		2 / 2		2 / 2		2 / 2
28×9-15-12PR(I)		7.00-12-12PR(I)		7.00-12-12PR(I)		28×9-15-12PR(I)		250-15-16PR(I)
6.50-10-10PR(I)		6.00-9-10PR(I)		6.00-9-10PR(I)		6.50-10-10PR(I)		6.50-10-12PR(I)
1700		1600		1600		1700		1700
1000		970		970		1000		1060
970		970		970		970		970
1220		1000		1000		1220		1220
1005		1005		1005		1005		1005
1130		1110		1110		1130		1180
560		530		530		560		610
460 / 680		435 / 650		435 / 650		460 / 680		485 / 730
140		110		110		140		125
145		120		120		145		190
Hydraulic-Foot pedal		Hydraulic-Foot pedal		Hydraulic-Foot pedal		Hydraulic-Foot pedal		Hydraulic-Foot pedal
Mechanical-Hand lever		Mechanical-Hand lever		Mechanical-Hand lever		Mechanical-Hand lever		Mechanical-Hand lever
12 / 30		12 / 30		12 / 30		12 / 30		12 / 30
GCT / K21		GCT / K25		GCT / K25		GCT / K25		GCT / K25
34.6 / 2250		39.5 / 2100		39.5 / 2100		39.5 / 2100		39.5 / 2100
153.5 / 1600		188.1 / 1600		188.1 / 1600		188.1 / 1600		188 / 1600
4		4		4		4		4
2065		2488		2488		2488		2488
0.60 / 50		0.60 / 50		0.60 / 50		0.60 / 50		0.60 / 50
70		70		70		70		70
Manual	Power-shift	Manual	Power-shift	Manual	Power-shift	Manual	Power-shift	Power-shift
2-2	1-1	2-2	1-1	2-2	1-1	2-2	1-1	1-1
17.7		17.7		17.7		17.7		17.7





**Wide View Mast**

**Wide View Mast VM**

Mast Model	Rated Capacity/ 500mm load center (kg)		Max. Fork Height mm	Overall Mast Height		Tilting Angle F/B deg	(1) Service weight(kg)		
	FG30T3 / FD30T4 FG30C3 / FD30C3Z			Lowered mm	(1)Raised with Backrest mm		FG30T3 FG30C3		
	PNEUMATIC	UNIQUE(SE)					S	DD	SDD
VM250	3000	3000	2500	1820	3760	6-10	4210	4245	4360
VM270	3000	3000	2700	1920	3960	6-10	4225	4260	4375
VM300	3000	3000	3000	2075	4260	6-12	4250	4285	4400
VM330	3000	3000	3300	2225	4560	6-12	4275	4310	4425
VM350	3000	3000	3500	2325	4760	6-12	4290	4325	4440
VM375	3000	3000	3750	2450	5010	6-6 *6-12	4310	4345	4460
VM400	3000	3000	4000	2625	5260	6-6 *6-12	4370	4405	4520
VM425	2900 *3000	3000	4250	2750	5510	6-6 *6-12	4390	4425	4540
VM450	2800 *3000	3000	4500	2875	5760	6-6 *6-12	4410	4445	4560
VM475	2750 *2900	2900	4750	3000	6010	6-6 *6-6	4430	4465	4580
VM500	2700 *2850	2850	5000	3125	6260	6-6 *6-6	4455	4490	4605
VM550	*2400	*2400	5500	3425	6760	*3-6	—	4565	4680
VM600	*2000	*2000	6000	3675	7260	*3-6	—	4605	4720

NOTE : (1) Weight for diesel model: +120kg(C240-V2403)

**Wide View Full Free 2-Stage Mast VFM**

Mast Model	Rated Capacity/ 500mm load center (kg)		Max. Fork Height mm	Overall Mast Height		(2)Free lift with Backrest mm	Tilting Angle F/B deg	(3) Service weight(kg)		
	FG30T3 / FD30T4 FG30C3 / FD30C3Z			Lowered mm	(1)Raised with Backrest mm			FG30T3 FG30C3		
	PNEUMATIC	UNIQUE(SE)						S	DD	SDD
VFM250	3000	3000	2500	1820	3760	600	6-10	4250	4245	4360
VFM270	3000	3000	2700	1920	3960	700	6-10	4265	4260	4375
VFM300	3000	3000	3000	2075	4260	850	6-12	4295	4285	4400
VFM330	3000	3000	3300	2225	4560	1000	6-12	4320	4310	4425
VFM350	3000	3000	3500	2325	4760	1100	6-12	4335	4325	4440
VFM375	3000	3000	3750	2450	5010	1225	6-6 *6-12	4360	4345	4460
VFM400	3000	3000	4000	2625	5260	1400	6-6 *6-12	4425	4405	4520
VFM425	2900 *3000	3000	4250	2750	5510	1525	6-6 *6-12	4445	4425	4540
VFM450	2800 *3000	3000	4500	2875	5760	1650	6-6 *6-12	4465	4445	4560
VFM475	2750 *2900	2900	4750	3000	6010	1775	6-6 *6-6	4490	4465	4580
VFM500	2700 *2850	2850	5000	3125	6260	1900	6-6 *6-6	4510	4490	4605
VFM550	*2400	*2400	5500	3425	6760	2200	*3-6	—	4565	4680
VFM600	*2000	*2000	6000	3675	7260	2450	*3-6	—	4605	4720

NOTE : (1) For height without backrest: -520mm (2) For free lift without backrest: +520mm (3) Weight for without backrest: -30kg Weight for diesel model: +120kg(C240-V2403)

**Wide View Full Free 3-Stage Mast VFHM**

Mast Model	Rated Capacity/ 500mm load center (kg)		Max. Fork Height mm	Overall Mast Height		(2)Free lift with Backrest mm	Tilting Angle F/B deg	(3) Service weight(kg)		
	FG30T3 / FD30T4 FG30C3 / FD30C3Z			Lowered mm	(1)Raised with Backrest mm			FG30T3 FG30C3		
	PNEUMATIC	UNIQUE(SE)						S	DD	SDD
VFHM360	3000	3000	3600	1825	4860	600	6-6 *6-10	4395	4430	4545
VFHM400	3000	3000	4000	1950	5260	725	6-6 *6-10	4425	4460	4575
VFHM435	2900 *3000	2900 *3000	4350	2075	5610	850	6-6 *6-10	4460	4495	4610
VFHM480	2800 *2900	2800 *2900	4800	2225	6060	1000	6-6 *6-10	4495	4530	4645
VFHM500	2600 *2750	2750	5000	2325	6260	1100	6-6 *6-10	4520	4555	4670
VFHM540	1900 *2650	2500 *2650	5400	2450	6660	1225	3-6 *3-6	4555	4590	4705
VFHM600	1400 *2100	1850 *2100	6000	2675	7260	1450	3-6 *3-6	4650	4685	4800
VFHM650	*1700	*1700	6500	2890	7760	1665	*3-3	—	4750	4865
VFHM700	*1350	*1350	7000	3110	8260	1885	*3-3	—	4805	4920

NOTE : (1) For height without backrest: -580mm (2) For free lift without backrest: +580mm (3) Weight for without backrest: -30kg Weight for diesel model: +120kg(C240-V2403)

**NOTE :**

Rated capacity with (\*): Shows capacity with DD: front dual tires.  
 Service weight of VM/VFM550-600 and of VFHM650-700 represents the weight of vehicles equipped with "SDD:special dual tires".  
 Lifting speed with VFM/VFHM mast: with VFM FG 420mm/s with load. 440mm/s without load.  
 FD(V2403) 410mm/s with load. 440mm/s without load.  
 (C240) 400mm/s with load. 410mm/s without load.  
 with VFHM FG 430mm/s with load. 450mm/s without load.  
 FD(V2403) 420mm/s with load. 460mm/s without load.  
 (C240) 420mm/s with load. 430mm/s without load.  
 Lowering speed with VFM/VFHM mast: 400mm/s with load. 350mm/s without load.  
 Overall vehicle length with VFHM mast: +15mm longer than of standard model with VM/VFM mast.

**Wide View Mast**

**Wide View Full Free 2-Stage Mast VFW (4CYLINDER)**

Mast Model	Rated Capacity/ 500mm load center (kg)		Max. Fork Height mm	Overall Mast Height		(2)Free lift with Backrest mm	Tilting Angle F/B deg	(3) Service weight(kg)		
	FG30T3 / FD30T4 FG30C3 / FD30C3Z			Lowered mm	(1)Raised with Backrest mm			FG30T3 FG30C3		
	PNEUMATIC	UNIQUE(SE)						S	DD	SDD
VFW300	2900	2900	3000	2125	4260	900	6-12	4310	4345	4495
VFW330	2900	2900	3300	2275	4560	1050	6-12	4335	4370	4520
VFW350	2900	2900	3500	2375	4760	1150	6-12	4355	4390	4540
VFW375	2900	2900	3750	2500	5010	1275	6-6 *6-12	4375	4410	4560
VFW400	2900	2900	4000	2675	5260	1450	6-6 *6-12	4440	4475	4625

NOTE : (1) For height without backrest: -580mm  
 (2) For free lift without backrest: +580mm  
 (3) Weight for without backrest: -30kg  
 Weight for diesel model: +120kg(C240-V2403)

**Wide View Full Free 3-Stage Mast VFHW (4CYLINDER)**

Mast Model	Rated Capacity/ 500mm load center (kg)		Max. Fork Height mm	Overall Mast Height		(2)Free lift with Backrest mm	Tilting Angle F/B deg	(3) Service weight(kg)		
	FG30T3 / FD30T4 FG30C3 / FD30C3Z			Lowered mm	(1)Raised with Backrest mm			FG30T3 FG30C3		
	PNEUMATIC	UNIQUE(SE)						S	DD	SDD
VHW435	2800 *2900	2900	4350	2125	5610	900	6-6 *6-10	4470	4505	4655
VHW480	2700 *2800	2800	4800	2275	6060	1050	6-6 *6-10	4510	4545	4695
VHW500	2600 *2750	2750	5000	2375	6260	1150	6-6 *6-10	4535	4570	4720
VHW540	1900 *2650	2500 *2650	5400	2500	6660	1275	3-6	4565	4600	4750
VHW550	1900 *2600	2350 *2600	5500	2540	6760	1315	3-6	4575	4610	4760

NOTE : (1) For height without backrest: -580mm  
 (2) For free lift without backrest: +580mm  
 (3) Weight for without backrest: -30kg  
 Weight for diesel model: +120kg(C240-V2403)

**NOTE :**

Rated capacity with (\*): Shows capacity with DD: front dual tires.  
 Lifting speed with VFM/VFHM mast: with VFM FG 360mm/s with load. 420mm/s without load.  
 FD(V2403) 380mm/s with load. 410mm/s without load.  
 (C240) 370mm/s with load. 390mm/s without load.  
 with VFHM FG 380mm/s with load. 430mm/s without load.  
 FD(V2403) 390mm/s with load. 430mm/s without load.  
 (C240) 310mm/s with load. 410mm/s without load.  
 Lowering speed with VFM/VFHM mast: 400mm/s with load. 350mm/s without load.  
 Overall vehicle length with VFW/VFHW(4CYLINDER) mast: +35mm/+45mm longer than of standard model with VM mast.



## Wide View Mast

### Wide View Mast VM

Mast Model	Rated Capacity / 500mm load center(kg)		Max. Fork Height mm	Overall Mast Height		Tilting Angle F/B deg	(1) Service weight(kg)	
	FG/D35T3S			Lowerd mm	(1)Raised with Backrest mm		FG35T3S	
	PNEUMATIC	UNIQUE(SE)					S	DD
VM250	3500	3500	2500	1885	3760	6-10	4770	4785
VM270	3500	3500	2700	1985	3960	6-10	4790	4805
VM300	3500	3500	3000	2135	4260	6-12	4820	4835
VM330	3500	3500	3300	2285	4560	6-12	4850	4865
VM350	3500	3500	3500	2385	4760	6-12	4870	4885
VM375	3500	3500	3750	2510	5010	6-6 *6-12	4890	4905
VM400	3500	3500	4000	2685	5260	6-6 *6-12	4960	4975
VM425	3500	3500	4250	2810	5510	6-6 *6-12	4985	5000
VM450	3400	3450	4500	2935	5760	6-6 *6-12	5005	5020
VM475	3400	3400	4750	3060	6010	6-6	5030	5045
VM500	3300	3350	5000	3185	6260	6-6	5055	5070
VM550	*3200	*3200	5500	3485	6760	*3-6	—	5160
VM600	*2400	*2400	6000	3735	7260	*3-6	—	5205

NOTE : (1) Weight for diesel model: +120kg (QD32)

### Wide View Full Free 2-Stage Mast VFM

Mast Model	Rated Capacity / 500mm load center(kg)		Max. Fork Height mm	Overall Mast Height		(2)Free lift with Backrest mm	Tilting Angle F/B deg	(3) Service weight(kg)	
	FG/D35T3S			Lowerd mm	(1)Raised with Backrest mm			FG35T3S	
	PNEUMATIC	UNIQUE(SE)						S	DD
VFM250	3500	3500	2500	1885	3760	655	6-10	4860	4875
VFM270	3500	3500	2700	1985	3960	755	6-10	4880	4895
VFM300	3500	3500	3000	2135	4260	905	6-12	4910	4925
VFM330	3500	3500	3300	2285	4560	1055	6-12	4945	4960
VFM350	3500	3500	3500	2385	4760	1155	6-12	4965	4980
VFM375	3500	3500	3750	2510	5010	1280	6-6 *6-12	4995	5010
VFM400	3500	3500	4000	2685	5260	1455	6-6 *6-12	5065	5080
VFM425	3500	3500	4250	2810	5510	1580	6-6 *6-12	5095	5110
VFM450	3400	3400	4500	2935	5760	1705	6-6 *6-12	5120	5135
VFM475	3300	3300	4750	3060	6010	1830	6-6	5145	5160
VFM500	3200	3250	5000	3185	6260	1955	6-6	5175	5190
VFM550	*3000	*3000	5500	3485	6760	2255	*3-6	—	5285
VFM600	*2400	*2400	6000	3735	7260	2505	*3-6	—	5340

NOTE : (1) For height without backrest: -445mm  
(2) For free lift without backrest: +445mm  
(3) Weight for without backrest: -30kg  
Weight for diesel model: +120kg (QD32)

### Wide View Full Free 3-Stage Mast VFHM

Mast Model	Rated Capacity / 500mm load center(kg)		Max. Fork Height mm	Overall Mast Height		(2)Free lift with Backrest mm	Tilting Angle F/B deg	(3) Service weight(kg)	
	FG/D35T3S			Lowerd mm	(1)Raised with Backrest mm			FG35T3S	
	PNEUMATIC	UNIQUE(SE)						S	DD
VFHM360	3500	3500	3600	1885	4860	655	6-6 *6-10	4975	4990
VFHM400	3500	3500	4000	2010	5260	780	6-6 *6-10	5010	5025
VFHM435	3500	3500	4350	2135	5610	905	6-6 *6-10	5040	5055
VFHM480	3400	3400	4800	2285	6060	1055	6-6 *6-10	5080	5095
VFHM500	3300	3300	5000	2385	6260	1155	6-6 *6-10	5110	5125
VFHM540	2600 *3200	2700 *3200	5400	2510	6660	1280	3-6 *3-6	5140	5155
VFHM600	1600 *2400	2000 *2400	6000	2735	7260	1505	3-6 *3-6	5250	5265
VFHM650	*2000	*2000	6500	2950	7760	1720	*3-3	—	5330
VFHM700	*1600	*1600	7000	3170	8260	1940	*3-3	—	5390

NOTE : (1) For height without backrest: -530mm  
(2) For free lift without backrest: +530mm  
(3) Weight for without backrest: -30kg  
Weight for diesel model: +120kg (QD32)

#### NOTE :

Rated capacity with (\*): Shows capacity with front dual tires.  
Lifting speed with VFM/VFHM mast: with VFM 390mm/s with load. 410mm/s without load.  
with VFHM 450mm/s with load. 470mm/s without load.  
Lowering speed with VFM/VFHM mast: 440mm/s with load. 380mm/s without load.  
Overall vehicle length with VFHM mast: +15mm longer than of standard model with VM/VFM mast.

## STANDARD EQUIPMENT AND ACCESSORIES

### [Equipment]

- Adjustable ORS seat with belt
- Asbestos-free brake shoe materials
- Cylinder type bonnet latch with locking function
- Donaldson dry type cyclopac air-cleaner
- Drawbar device
- Durable overhead guard with resin screen
- Engine auto glow system (Diesel)
- Engine idle-up device(Gasoline)
- Flow control valve
- Fuel water sedimenter (Diesel)
- Full hydrostatic power steering
- Full transistorized ignition (Gasoline)
- Hydraulic oil dipstick
- Interlock system<sup>1)</sup>
- ITA class III carriage
- J-lug pneumatic industrial tires
- Lift circuit cut-off valve
- Load backrest
- Radiator coolant reservoir
- Return hydraulic filter
- Suction hydraulic strainer
- Tilt lock valve
- Transmission oil dipstick (power shift T/M)
- Transmission oil filter (power shift T/M)
- Wide view two stage mast(VM300)
- 1070mm forks
- 2-spool control valve with pressure relief

### [Controls]

- Electric shift control lever (direction change)
- Lift and tilt levers
- Multi-function switch lever with self-cancelling mechanism (Lighting & turn-signal)
- Parking brake lever with inter-lock
- Tilt adjustable steering post
- Neutral safety mechanism

### [Accessories]

- Access-assisted hand grip
- Back-up buzzer
- Back-up lights
- Deluxe floor mat
- Detachable and portable glove box
- Electric horn
- Front combination lights (turn signal, clearance)
- Head lights - traffic purpose
- High-mounted rear combination lights
- Operator tool kit
- Pen/ Cup holder
- Side view mirrors

### [Instruments and Switch]

- Charge indicator
- Engine oil pressure warning indicator
- Fuel gauge
- Glow indicator (Diesel)
- Hourmeter
- Ignition key engine stop (Diesel)
- Neutral safety switch
- Fuel water sedimenter indicator (Diesel)
- Water temperature gauge

#### NOTE :

Meets following major standards and code:  
ISO22915-2 Counter Balanced Lift Trucks, Stability & Safety Test(Int'l)  
ISO 3691 Powered industrial trucks - safety code  
JIS D6001 Industrial Lift Trucks (Japan)  
ISO D6011 Stability & Safety Test (Japan)  
Overhead guard meets ISO 6055, JIS D6021  
Specifications are subject to change without notice and its may vary depending on markets.  
Please consult your TCM representative for details.

## OPTIONAL LOADING ATTACHMENT

- Alternative fork lengths
- Alternative lengths fork extension sleeve
- Bale clamp (LG)
- Carton clamp(2-3t) (CLG)
- Crane arm (CA)
- Drum clamp(2-3t) (DLG)
- Fork clamp(2-3t) (FLG)
- Fork positioner hydraulic type(Hook-on/ Integral)(FS)
- Fork positioner manual type
- High, wide type load backrest
- Hinged forks/ scoop (HFS)
- Load push-pull(2-3t) (PPC)
- Load stabilizer(2-3t) (STA)
- Ram attachment (RA)
- Rotating forks (Hook-on/ Integral type) (RF)
- Rotating paper roll clamp (Hook-on/ Integral type)(PR)
- Side-shifter(Hook-on/ Integral) (SS)
- Sleeve-in hook
- Wide type fork carriage
- Wide view full free 2-stage (VFM) mast
- Wide view full free 3-stage (VFHM) mast
- Wide view full free 2-stage 4cyl (VFW) mast(2-3t)
- Wide view full free 3-stage 4cyl (VFHW) mast(2-3t)

## OPTIONAL EQUIPMENT AND ACCESSORIES

### [Equipment]

- Auxiliary hydraulic valve modules(max. 5spool)
- Cabin - panel type(SCBPA)
- Central greasing system (CL)
- Color tire (white, green)
- Dual element aircleaner( ADE )
- Exhaust purify catalytic muffler(EPM)(Diesel)
- Fingertip hydraulic valve control (FIT)
- Fishery industry package (FC)(2-3t)
- Front dual drive wheels( DD/ SDD )
- Full open cabine(AW 061)
- Heater(HR)
- Heater & defroster (DEF)
- High capacity radiator - High power model(RAD PF2)
- Interlock system<sup>1)</sup> (SIL)
- Lift lock mechanism (VLL)
- Load sensing valve (VLS)
- LPG exclusive/ Dual fuel(LPG - Gasoline) package
- Non-slip differential(power shift T/M)
- Oil clutch(manual T/M)
- Overhead exhaust system(TUE)
- Overhead guard/ High profile
- Overhead guard/ Low profile
- Plate fin type radiator(RAD PF)
- Power clutch(manual T/M)
- Pre-cleaner engine air intake(CAK B)(Gasoline)
- Radiator dust screen (fine, medium mesh)
- Smoke reduction/spark arrester muffler (Diesel)
- Steel cabin - enclosed type(SCB 001)
- Synchronised steering mechanism(SRS)
- Unique cushion tires(SE)
- Windshield wiper

### [Accessories]

- Custom paint-work
- Fire extinguisher(FE)
- Rear working light(RWL)
- Rotating warning light(RLY/RLR)
- Tilt cylinder boots(TLB)

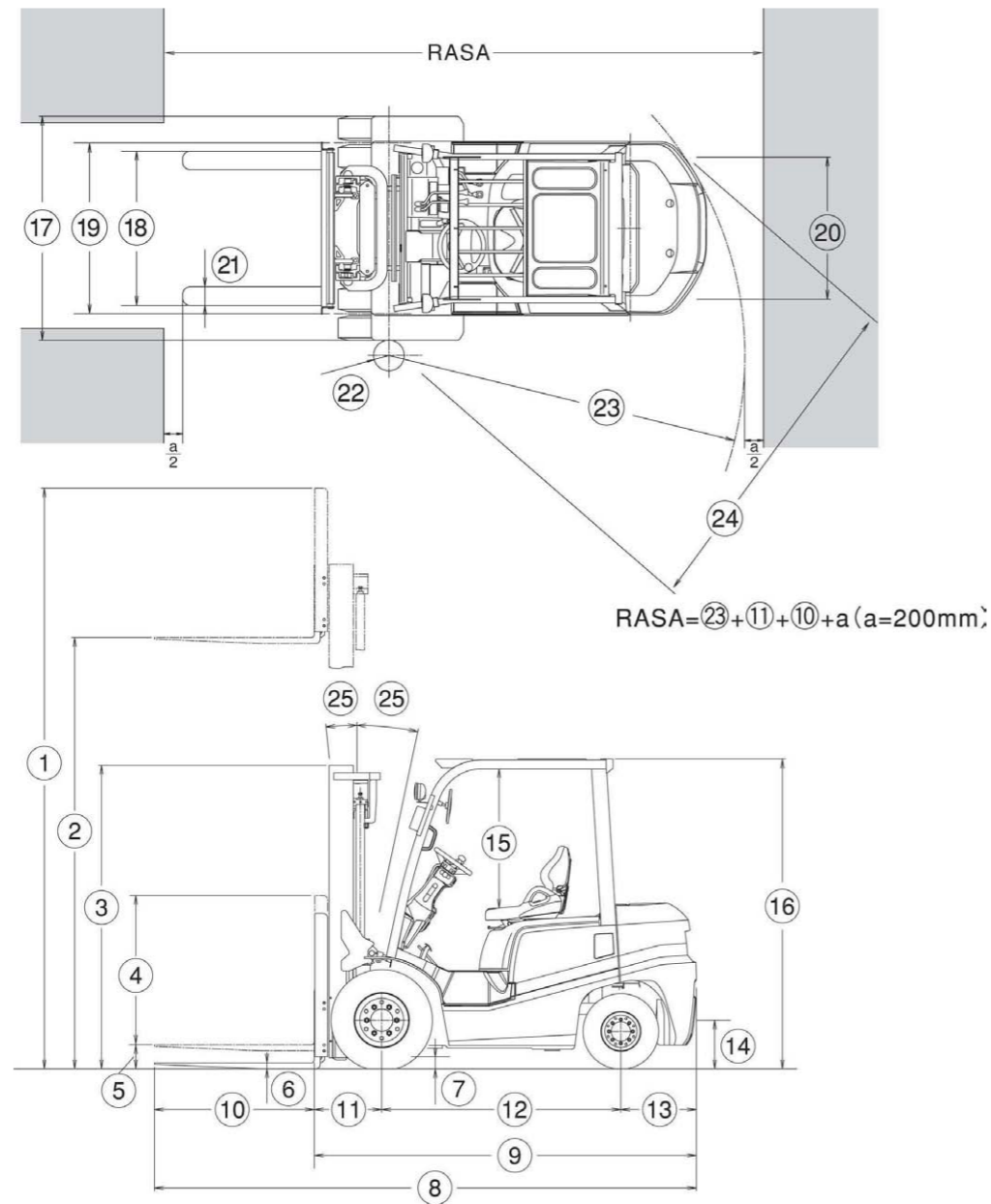
### [Instruments and Switch]

- Ammeter (AM)
- O.K. monitor (fuel level, battery electrolyte level, coolant level, parking brake, air-cleaner, seat-belt)
- Speedometer (SM)
- Torque converter oil pressure gauge (TPM)
- Torque converter oil temperature gauge (power shift T/M)

Others on request

NOTE : 1) STD for EXE specification

GROUND CLEARANCE	FD / FG20-25	FD / FG30	FD/FG35T3S
	FHD / FHG20-25	FHD / FHG30	mm
Mast	110	140	145
Frame	120	145	190
Front axle	125	145	165
Rear axle	150	175	185
Counter weight	155	185	225



## STANDARD DIMENSIONS

### STANDARD DIMENSIONS

Model	FD / FG20	FD / FG25	FD / FG30	FD/FG35T3S
	FHD / FHG20	FHD / FHG25	FHD / FHG30	mm
① Overall height, fork raised(with backrest)	4030	4030	4260	4255
② Maximum fork height	3000	3000	3000	3000
③ Mast height, fork lowered	2030	2030	2075	2135
④ Backrest height	1000	1000	1220	1220
⑤ Free lift	110	110	165	170
⑥ Fork thickness	40	40	45	50
⑦ Ground clearance(front axle)	125	125	145	145/165
⑧ Overall length(with forks)	3555	3625	3775	3870
⑨ Length to fork face	2485	2555	2705	2800
⑩ Fork length	1070	1070	1070	1070
⑪ Load distance(centerline of front axle to front face of forks)	450	450	480	495
⑫ Wheelbase	1600	1600	1700	1700
⑬ Rear overhang	435	505	525	605
⑭ Drawbar Pin Center Height	530	530	560	610
⑮ Overhead guard clearance(from face of seat)*	1005	1005	1005	1005
⑯ Overall height(overhead guard)*	2070	2070	2090	2140
⑰ Overall width	1150	1150	1225	1290
⑱ Fork spread(outside)	245 - 1020	245 - 1020	250 - 1090	300 - 1090
⑲ Tread (front)	970	970	1000	1060
⑳ Tread (rear)	970	970	970	970
㉑ Fork width	122	122	125	150
㉒ Inside turning radius	160	160	200	200
㉓ Outside turning radius	2170	2240	2400	2470
㉔ Minimum intersecting aisle	2210	2230	2330	2390/2380
㉕ Tilt angles(forward-backward)	6° - 12°	6° - 12°	6° - 12°	6° - 12

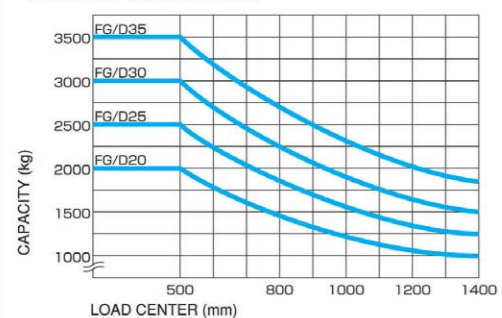
NOTE : \*Oceania(EXC) and European export trucks(EXE): +60mm

### DIMENSIONS WITH FRONT DUAL DRIVE WHEELS (option)

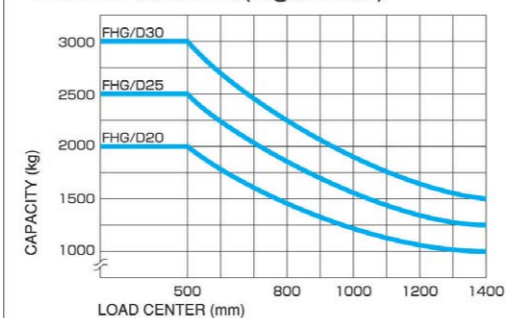
Model	FD / FG20	FD / FG25	FD / FG30	FD/FG35T3S
	FHD / FHG20	FHD / FHG25	FHD / FHG30	mm
Tire size (front dual Type: DD)	4 x 5.50-15-8PR(I)		4 x 6.00-15-10PR(I)	
⑰ Overall width	1480	1480	1520	1600
⑲ Tread (front)	1130	1130	1170	1230
㉒ Inside turning radius	100	100	100	100
㉓ Outside turning radius	2240	2310	2430	2540
㉔ Minimum intersecting aisle	2320	2340	2445	2500

Tire size (front dual Type: SDD)	4 x 7.00 -12-12PR(I)		4 x 28 x 9-15-12PR(I)
	mm	mm	mm
⑰ Overall width	1590	1590	1750
⑲ Tread (front)	1190	1190	1260
㉒ Inside turning radius	100	100	100
㉓ Outside turning radius	2280	2350	2500
㉔ Minimum intersecting aisle	2370	2380	2490

LOAD CHART 2-3.5t



LOAD CHART 2-3t(High Power)



***INOMA***

- UniCarriers Corporation retains the right to change these products and specifications without incurring any obligation relating to such changes.
- These products and specifications are subject to change without notice.
- Photos and illustrations may slightly differ from the actual trucks.
- Photos and illustrations may or may not include optional equipment and accessories.
- Features and specifications may vary depending on markets.
- Performance data and dimensions are nominal and subject to tolerances.
- Produced in ISO certified factory.

**UNICARRIERS**  
UniCarriers Corporation

Bellport E,6-22-7,Minami-Oi,Shinagawa-ku Tokyo 140-0013,Japan

TEL:+81-3-6730-3200

<http://www.unicarriers.co.jp/en/>