

UNICARRIERS[®]

□ FORKLIFT □



TX-M Series

3-Wheel Sit Down Forklifts

36 & 48 Volt AC-Powered

3,000 / 3,500 / 4,000 lbs. Capacities | Cushion Tire



TX-M Series Applications

With AC motors that are both powerful and emission-free, TX-M Series forklifts are the green choice for:

- Food Products Companies
- Warehousing Operations
- Manufacturing
- Trucking
- General Merchandise
- Wholesale Non-Durable Goods
- Government



Look for this symbol — it identifies a UniCarrier forklift feature that provides a proven performance advantage as compared to competitive trucks.



NEVER QUIT.

It defines our forklifts and the company that builds them.

Over the course of a century, the company known as UniCarriers took shape. As we grew and evolved into a US manufacturer with a global reach in nearly 100 countries worldwide, much has changed, but one thing hasn't: our mission. UniCarriers is committed to providing you with the ultimate in reliability, performance, and value.

And that commitment can be seen in the TX-M Series. It delivers the extraordinary maneuverability of a compact, 3-wheel truck to negotiate tight turns and narrow aisles. It provides reliable AC motors that eliminate emissions without sacrificing torque or power. And it features electric power steering that's precise and energy-efficient. The TX-M Series also offers the legendary reliability and uptime that define our brand — and is backed by the best standard, limited warranty in the business. It all adds up to the ultimate combination of versatility, economy and productivity



Up Your UpTime

TX-M Series forklifts incorporate a full range of advanced technologies to keep your operation up, running and productive. As a result, our trucks use fewer parts, require less scheduled maintenance, extend battery life and our ultra-reliable AC drive and hydraulic motors provide greater efficiency—delivering more consistent power and performance throughout each shift.



Easily check brake fluid levels on the front dash.



Quickly access dipstick and hydraulic fluid under the floorboard.

Dependable Drive Unit

Dependable performance is achieved through the synching of our brushless AC induction motors with a simple, yet effective, transmission design. The result is less complexity, fewer parts and reduced maintenance.



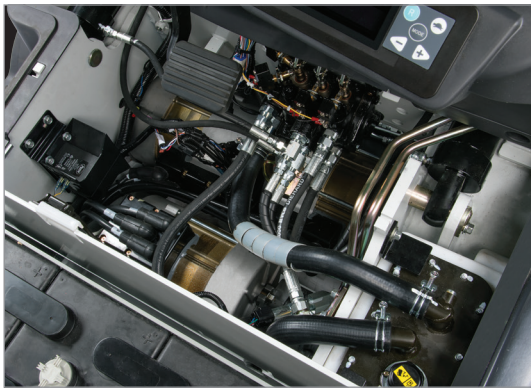
Electric Power Steering



Offers greater dependability by eliminating hydraulic components.

Sealed Controllers

The controllers are located in the rear of the truck—between the counterweight and the battery box—and protected by two removable panels. The pump inverter, traction inverter and EPS controller all have an IP54 rating — that means they're housed within an enclosed structure to protect against water.



Get More from Every Charge

Advanced regenerative technology **reclaims power**, lowering power **consumption** and **reducing component wear** through less heat generation — to keep your equipment **operating longer**, with less time in the charging bay.

Reliable AC Technology

The TX-M Series is powered by our harmonized, AC motor and controller system. With better cooling capacity and greater reliability even in humid environments, AC power delivers more consistent and higher performance throughout the shift on a single battery charge.

Stay Cool

Built-in thermal sensors help protect the motor and controller systems, **promoting more reliable performance**. A warning will flash on the LCD screen to advise the operator if overheating has occurred, followed by reduced travel and lift operations.

Our Motors Are Sealed For Your Protection



Both the traction motor and the hydraulic motor are sealed to provide protection from debris and moisture during the toughest of applications.

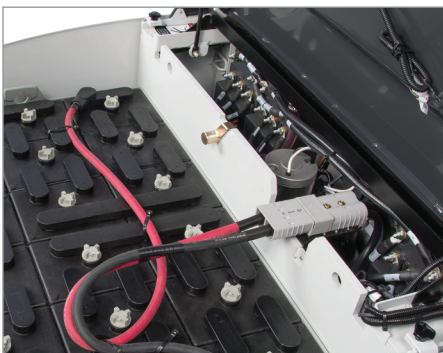
Comfort Zone

UniCarriers incorporates proven, ergonomic designs throughout the TX-M Series forklifts to optimize the comfort and visibility of your operators — while it maximizes the performance of your entire operation.



Sit & Relax

A comfortable **full-suspension seat** absorbs shocks for a smoother, more comfortable ride — and features weight and back angle adjustments, hip restraints and a retractable seatbelt.



Battery Plug

The battery plug is conveniently located under the hood, close to the battery.



A Step Up in Operator Comfort

Designed with a wide step for easy entry into the spacious cabin that boasts leg and foot room that are among the industry's largest.



Hands-On Operation

A small diameter, tilt steering wheel is paired with a standard spinner knob for extra operator control.



Perfectly Placed

Operator comfort and productivity are always within easy reach, thanks to our automatic, ergonomically placed parking brake switch, cowl-mounted hydraulic controls and automotive-style forward/reverse directional controls. Lights and turn signals are also ergonomically placed.

Control Freak



Whether it's restricting access to the forklift, regulating travel speed or limiting operating costs, the TX-M Series provides you with the control you need to manage your operation easily, effectively and completely.

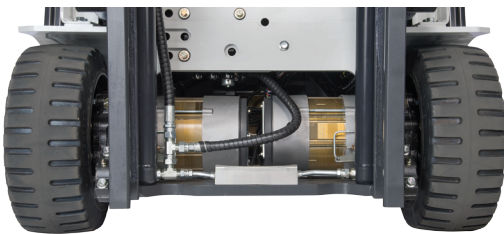


Our multi-function display provides an at-a-glance view of critical functions:

- Battery discharge indicator
- Speed meter
- Calendar
- Slow speed mode monitor (turtle mark)
- Hour meter
- Load meter
- Mode select switch
- Wheel indicator
- Warning icons
- Clock

The Ultimate In Control

The interactive meter panel on the TX-M provides operators with a wealth of information through its LCD warnings and readouts.



Ramp Hold

Increases operator confidence when stopping during ramp and incline driving operations.

Emergency Battery Disconnect

The emergency disconnect button is strategically positioned for a quick, intuitive action*.



*Cuts off power to motors & controllers. Accessories & lights are still powered.

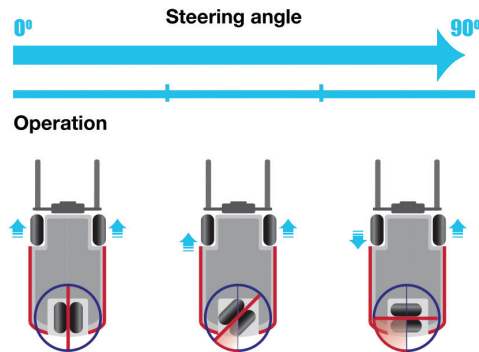


Power & Performance

The TX-M Series matches turn-on-a-dime maneuverability with power, torque, speed and control to deliver optimal performance and productivity for each application and in just about every environment.

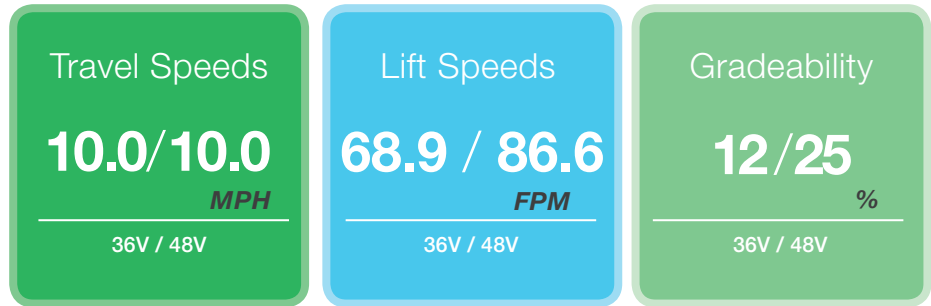
Smooth Moves

TX-M Series trucks are powered by two separate AC drive motors that are individually controlled by our AC Tech Controller. During tight turns, the inner wheel counter rotates so **the truck can turn within its own footprint** for unsurpassed maneuverability.



Peak Performance

Our top-end performance numbers are impressive, and so is the capability of TX-M Series forklifts to deliver **quicker acceleration and higher speeds** when you need to maximize work cycles and productivity.



Performance specifications above based on TX-M 35

5 Performance Modes = Greater Productivity

The TX-M Series features settings to optimize performance based on the application, work environment or operator experience. Choose from the five preset modes (shown below).

Forklift truck mode can be selected from 1 to 5, each with preset values shown in the below table:

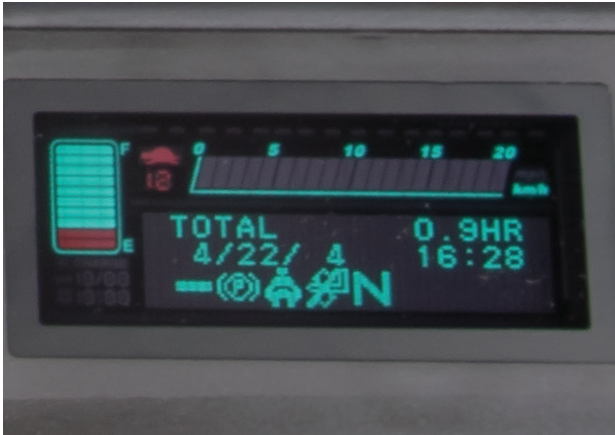
Feature / Application		PRESET 1	PRESET 2	PRESET 3	PRESET 4	PRESET 5
Characteristic	Lift	Slow	Medium	Medium	Medium	Fast
	Tilt	Medium	Medium	Medium	Medium	Medium
	Auxiliary	Slow	Slow	Slow	Slow	Slow
	Forklift Truck Speed	Slow	Medium	Medium	Fast	Fast
	Acceleration	Slow	Slow	Medium	Medium	Fast
	Power	Economy	Economy	Standard	Powerful	Powerful
	Regeneration	Medium	Medium	High	High	High

! WARNING

Verify the forklift truck traveling speed after changing the preset. Then, operate the forklift truck.

Sweet Savings

At UniCarriers, we're always looking for opportunities to lower the cost of owning our trucks — and we've found them. Take a look at just a few of the ways we've designed the TX-M Series forklifts to be faster, easier and more economical to operate and maintain.



More Power to You

Advanced regenerative technology reclaims energy from braking— lowering power consumption, extending operating hours, reducing component wear and keeping your equipment out of the charging bay.

Quick Check

A gas spring assist provides easy access for the required daily battery and hydraulic fluid checks.

Highly Efficient Power

The AC-powered system on the TX-M features brushless drive and pump motors.



Strength Overhead

Constructed of a single piece of steel, our overhead guard provides the exceptional strength and protection that makes operators feel more confident and secure.

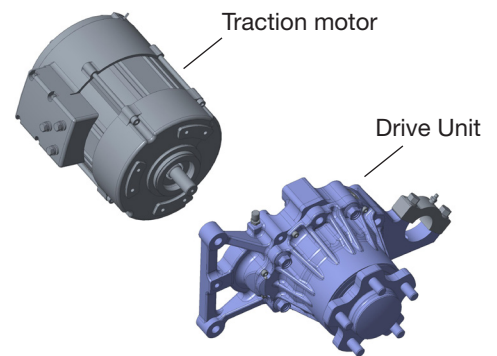
The Brake You Need

Includes wet disc brakes, which minimize brake wear extending timing needed between brake service.



Quick Fix

The modular design of the powertrain speeds and simplifies maintenance. The **gear box and motor can be removed, serviced and replaced as a unit** — without removing the mast for service.



Low Maintenance

Extended major service intervals of 1,000 and 2,000 hours mean more uptime and money savings on maintenance.

1,000
2,000

Play It Safe

You have a commitment to workplace and operator security. So do we. That's why you'll find some of the most sophisticated and reliable control systems on our TX-M Series forklifts — all designed to protect your employees and your business.

We've Got Your Back

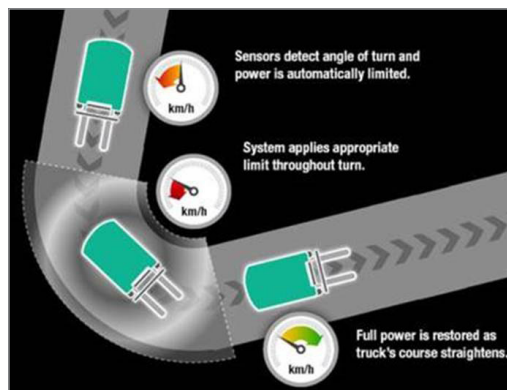
Our back-up alarm provides plenty of notice to pedestrians and other drivers in the area. For applications with varying noise levels, there is an optional self-adjusting alarm that adjusts sound volume based on ambient noise levels.

Reverse driving actuates optional blue spot light to illuminate the floor, for advanced visual warning.



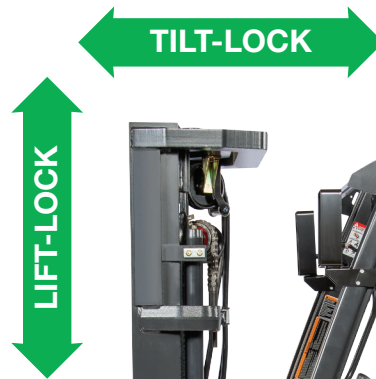
Automatic Parking Brake

Increase ergonomics with a "no effort required" parking brake. Ensure compliance while reducing maintenance time and costs.



Controlled Cornering Speed

Travel speed is automatically adjusted as the steer angle increases to keep both the operator and the load secure when making tight turns.



Operator Presence System

This comprehensive system includes a mast interlock system, driving interlock system, neutral lock, seatbelt warning, and parking brake warning.



View Thru Mast

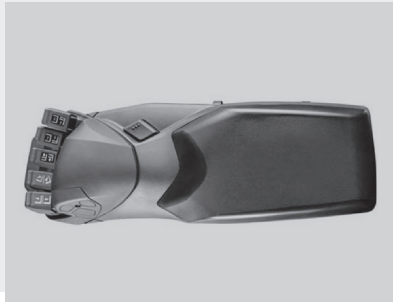
Provide your operator with 13.5" of clear visibility between mast rails. A greater viewing area means increased safety and efficiency.

Make It Yours

Unlike some competitive brands, the TX-M Series comes standard with the most essential and popular features and accessories. In addition, we offer a complete menu of additional options that allow you to customize your forklift to fit your specific workplace environment, operations and business objectives. On these pages, you'll find available options that are both innovative and economical— but it's only a portion of what we offer. So if you don't see what you're looking for here, call your UniCarriers dealer for more options.



• Fire Extinguisher



Armrest With Fingertip Controls

Low effort levers provide precise control to lower fatigue and increase productivity. Length and height adjustment makes best in-class ergonomics possible.



U.L. Type EE Rating

Fire safety rated truck for applications requiring Type EE trucks, in accordance with NFPA 505 "Fire Safety Standards for Powered Industrial Trucks".



Drive-In Racking Option

A narrow overhead guard design to allow operation in high density drive in racking application.



Foot Direction Pedal

Allows operators to control speed and direction with a single foot control.



Forward Or Reverse Activated Blue Lights

Choose from two options: forward or reverse driving actuates an optional blue spotlight to illuminate the floor, for advanced visual warnings.



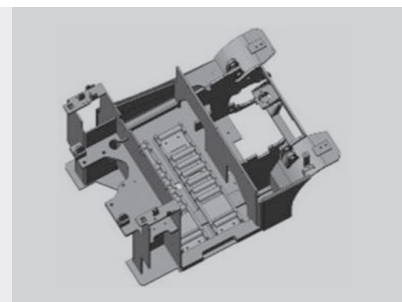
Non-Marking Tires

Designed to leave minimal markings on sealed or painted floors.



Freezer Package

For operating in environments as low as 14° F (-10° C).



Battery Rollers

Makes battery replacement quick and easy.

Reliability.

It's the defining trait of our company and our forklifts.



UniCarriers' roots extend back over 100 years, and over that time, strong, reliable performance has always been the hallmark of our organization, our people and our equipment.

Today, our unrivaled reliability continues to provide UniCarriers' customers with a competitive edge. And together, we move the merchandise that moves world commerce with greater efficiency, economy and reliability.

When it comes to providing forklifts that make a difference for our customers and theirs...



We Never Quit.

UNI CARRIERS
[**FORKLIFT**]
UniCarriersAmericas.com

SB-TX-M 05-2017 Printed in U.S.A.

UniCarriers® is a registered trademark of UniCarriers Corporation. UniCarriers Americas Corporation reserves the right to make product changes relating to colors, equipment, specifications or available options without notice. For more information, contact your UniCarriers representative.

